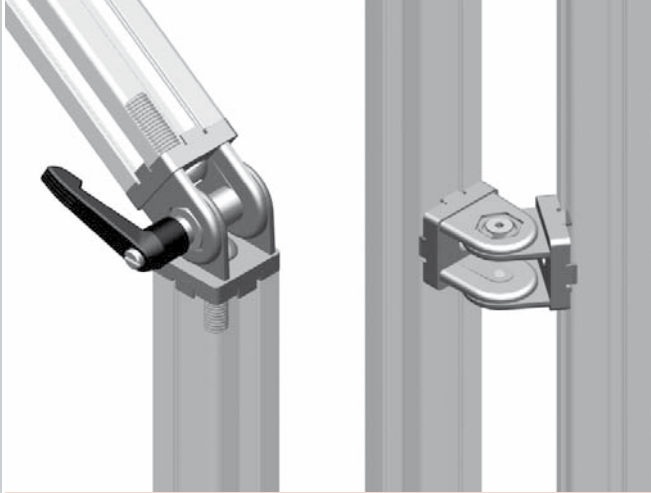




## Pivot Joints (PJ):



## General Information:

**Function:** To make a pivoting connection between two profiles or panels which can be fixed at any angle.

**Features:**

1. Removable locating pins for 8mm slots.
2. Easy locking system for positioning and adjusting.

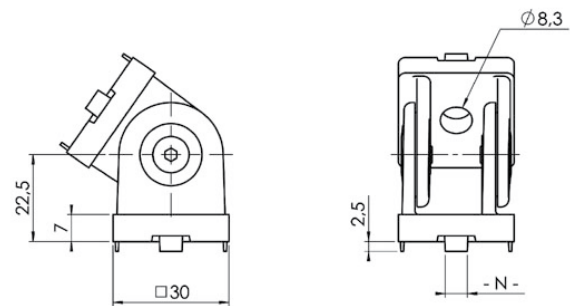
## Item Description:

PJ 30 x 30F

## Item Number:

1.20.0844.0

P30x30	8
--------	---



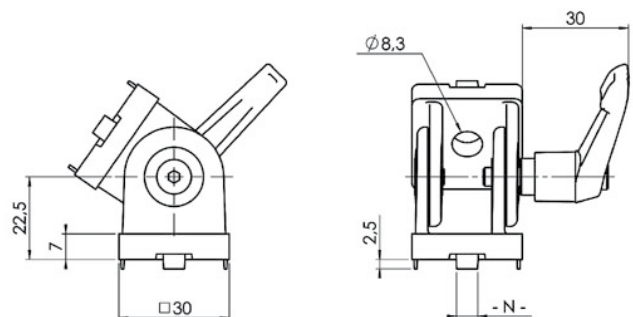
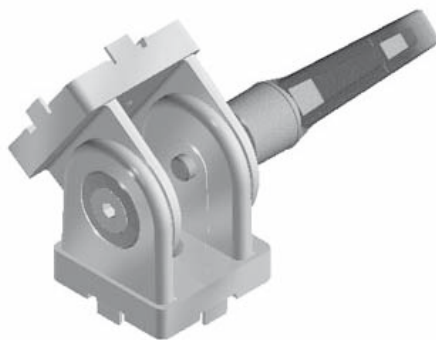
## Item Description:

PJ 30 x 30F with locking lever

## Item Number:

C093GF30AN08

P30x30	8
--------	---

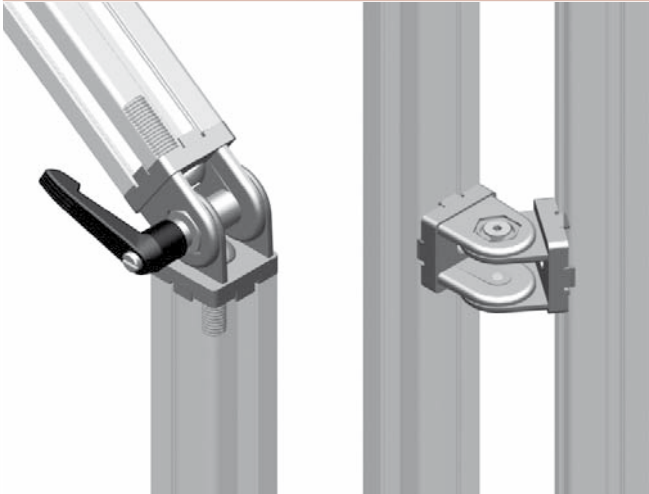


## Technical Information:

Item Description	Dim -N- (mm)	Weight (g)	Colour	Material
PJ 30x30F	8.0	134.0	Cast: Natural	Cast: Die-cast zinc
PJ 30x30F with I.I.		156.0	Lever: Black	Lever: Nylon



**Pivot Joints (PJ):**



**General Information:**

**Function:** To make a pivoting connection between two profiles or panels which can be fixed at any angle.

**Features:**

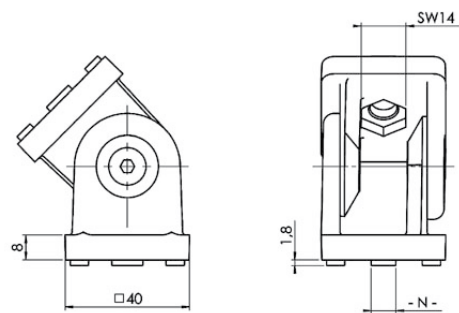
1. Removable locating pins for 8mm slots.
2. Easy locking system for positioning and adjusting.

**Item Description:**

PJ 40 x 40F

**Item Number:**

C093G40A

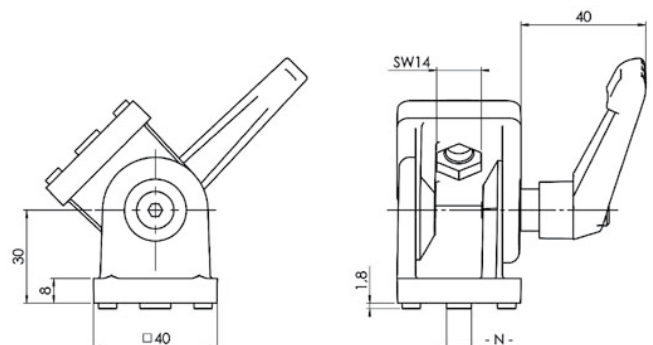
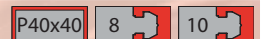


**Item Description:**

PJ 40 x 40F with locking lever

**Item Number:**

C093GF40AN



**Technical Information:**

Item Description	Dim -N- (mm)	Weight (g)	Colour	Material
PJ 40x40F	8.0/10.0	305.0	Cast: Natural Lever: Black	Cast: Die-cast zinc Lever: Nylon
PJ 40x40F with l.l.		338.0		



Pivot Joints (PJ):



General Information:

**Function:** To make a pivoting connection between two profiles or panels which can be fixed at any angle.

**Features:**

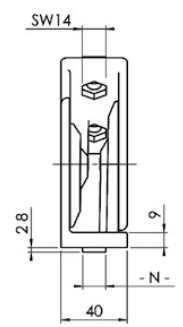
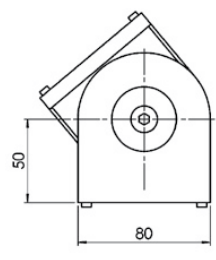
1. Removable locating pins for 8mm slots.
2. Easy locking system for positioning and adjusting

Item Description:

PJ 40 x 80F

Item Number:

C093G4080AN

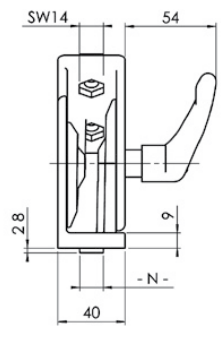
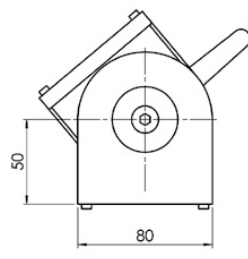


Item Description:

PJ 40 x 80F with locking lever

Item Number:

C093GF4080AN

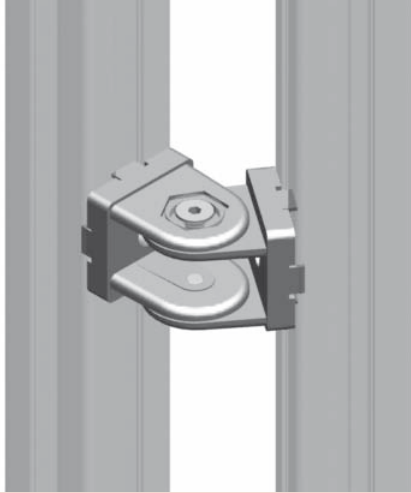


Technical Information:

Item Description	Slot -N- (mm)	Weight (g)	Colour	Material
PJ 40x80F	8.0/10.0	997.0	Cast: Natural Lever: Black	Cast: Die-cast zinc Lever: Nylon
PJ 40x80F with I.I.		1120.0		



Pivot Joints (PJ):



General Information:

**Function:** To make a pivoting connection between two profiles or panels which can be fixed at any angle.

**Features:**

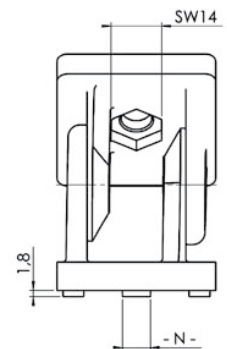
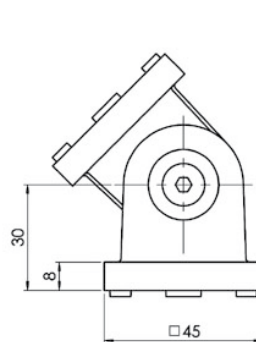
1. Removable locating pins for 8mm and 10mm slots.
2. Easy locking system for positioning and adjusting.

Item Description:

PJ 45 x 45F

Item Number:

C093G45AN

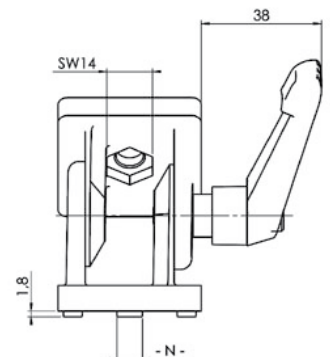
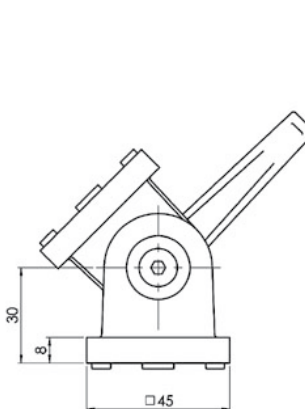
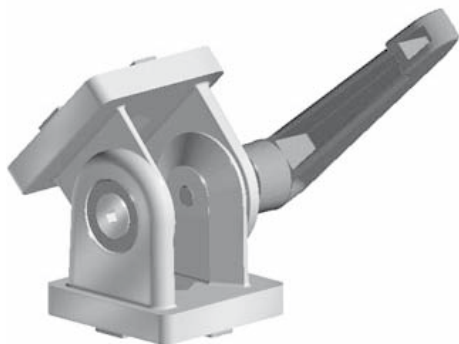


Item Description:

PJ 45 x 45F with locking lever

Item Number:

C093GF45AN



Technical Information:

Item Description	Slot -N- (mm)	Weight (g)	Colour	Material
PJ 45x45F	8.0/10.0	339.0	Cast: Natural	Cast: Die-cast zinc Lever: Nylon
PJ 45x45F with l.l.		387.0	Lever: Black	



## Pivot Joints (PJ):



## General Information:

**Function:** Joint for rigid or movable profile connections at any angle of your choice within 182° with a 15° graduation.

**Features:**

1. Removable locating pins for 10mm slots.
2. Easy locking system for positioning and adjusting.
3. Two M8 x 20 T-nuts<sup>2</sup> & two M8 cap screws for mounting into the profile slots
4. Two M12 x 40 cap screws<sup>4</sup> for mounting onto the ends of profiles.

## Item Description:

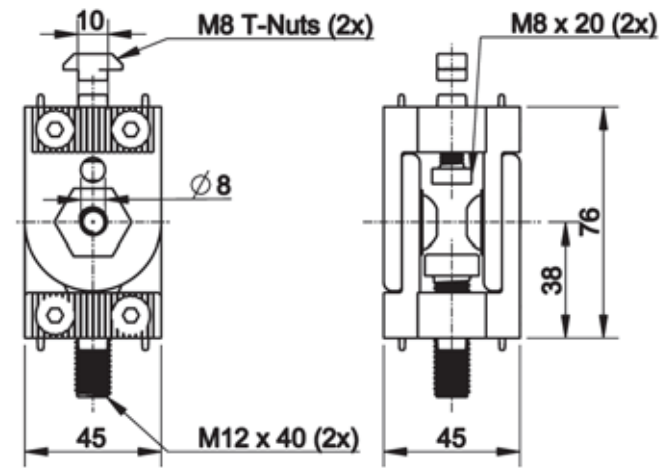
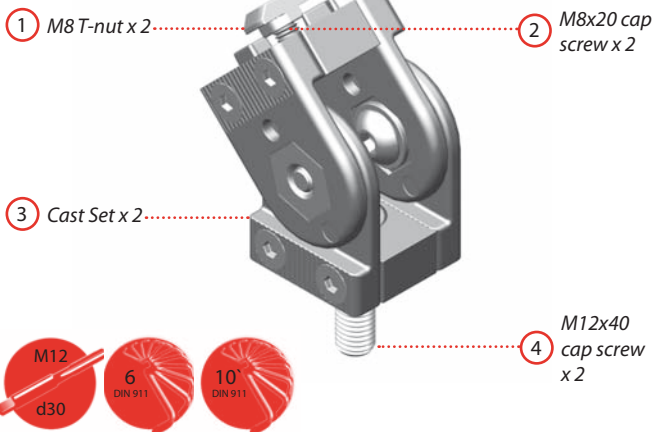
PJ 45 x 45

## Item Number:

1.20.1044.0

P45x45

10



## Technical Information:

Item Description	Slot -N- (mm)	Weight (g)	Colour	Finish	Material
PJ 45x45	8.0/10.0	756.0	Natural	1,2,4 - Galvanized 3 - Plain	1,2,4 - Steel 3 - Die-cast zinc



**Pivot Joints (PJ):**



**General Information:**

**Function:** To make a pivoting connection between two profiles or panels which can be fixed at any angle.

**Features:**

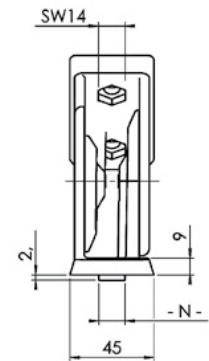
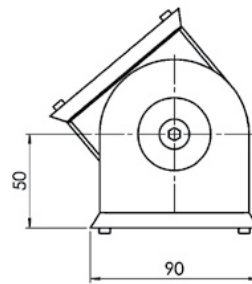
1. Removable locating pins for 8mm and 10mm slots.
2. Easy locking system for positioning and adjusting.

**Item Description:**

PJ 45 x 90F

**Item Number:**

C093G4590AN

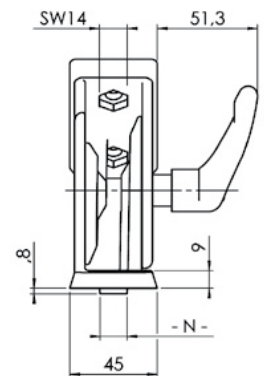
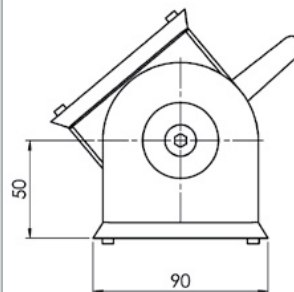


**Item Description:**

PJ 45 x 90F with locking lever

**Item Number:**

C093GF4590AN

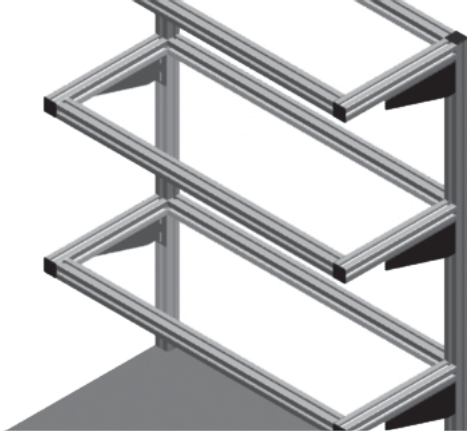


**Technical Information:**

Item Description	Slot -N- (mm)	Weight (g)	Colour	Material
PJ 45x90F	8.0/10.0	1069.0	Cast: Natural Lever: Black	Cast: Die-cast zinc Lever: Nylon
PJ 45x90F with I.I.		1069.0		



## Shelf Support Brackets (SSB):



## General Information:

**Function:** Supports and strengthens shelves.

**Features:**

1. Left and right 'shelf support brackets' are available for opposing applications.
2. Mounting slots for easy positioning and adjustment.

## Item Description:

SSB 255 - R

## Item Number:

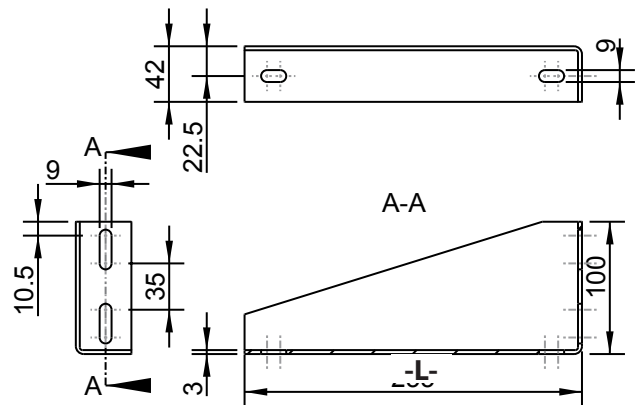
1.20.1060.0

P45x45	P45x60	P45x90	P90x90
--------	--------	--------	--------

SSB 495 - R

1.20.1062.0

P45x45	P45x60	P45x90	P90x90
--------	--------	--------	--------



## Item Description:

SSB 255 - L

## Item Number:

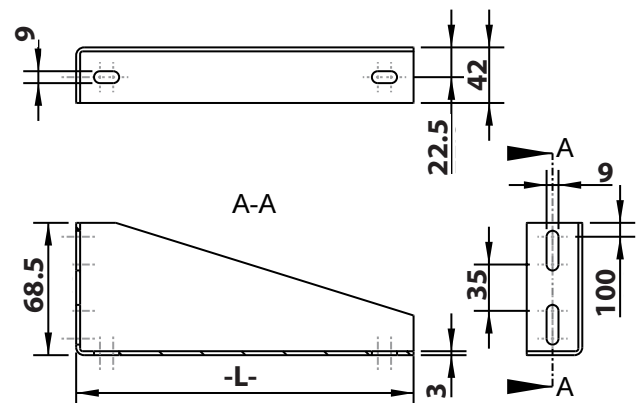
1.20.1059.0

P45x45	P45x60	P45x90	P90x90
--------	--------	--------	--------

SSB 495 - L

1.20.1061.0

P45x45	P45x60	P45x90	P90x90
--------	--------	--------	--------

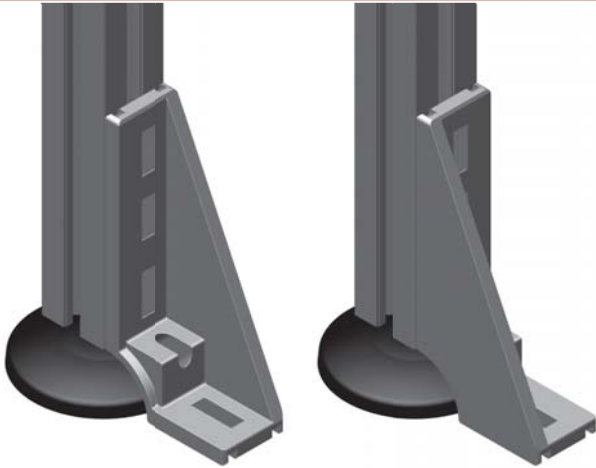


## Technical Information:

Item Description	Dim -L- (mm)	Weight	Colour	Finish	Material
SSB - R, L=255	255.0	353.0	Black	Powder coated	4 mm Steel
SSB - R, L=495	495.0	629.0			
SSB - L, L=255	255.0	353.0	Black	Powder coated	4 mm Steel
SSB - L, L=495	495.0	629.0			



**Floor Brackets (FBR):**



**General Information:**

**Function:** Secures legs, post or frames to the floor.

**Features:**

1. Left and right 'floor brackets' are available for opposing applications.
2. Curved cut-out provides proficient space for 'Hinged Feet'.
3. Mounting slots for easy positioning and adjustment.

**Item Description:**

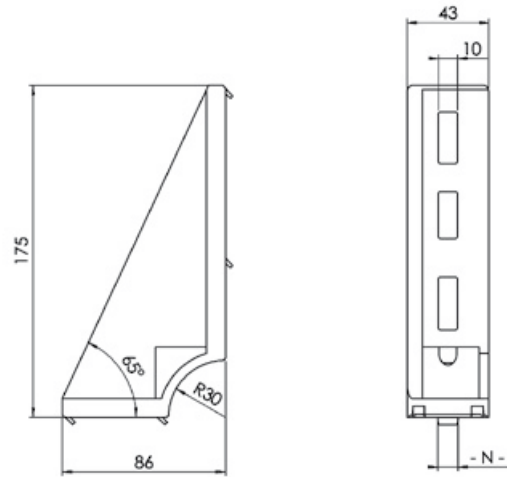
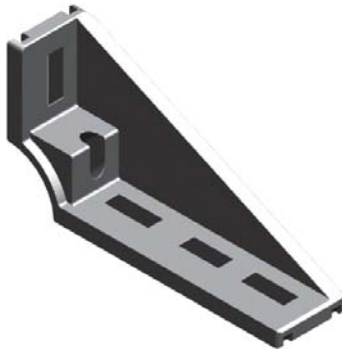
FBR - R

P45x45 P45x60 P45x90 P90x90

**Item Number:**

C093W1751LN10

10



**Item Description:**

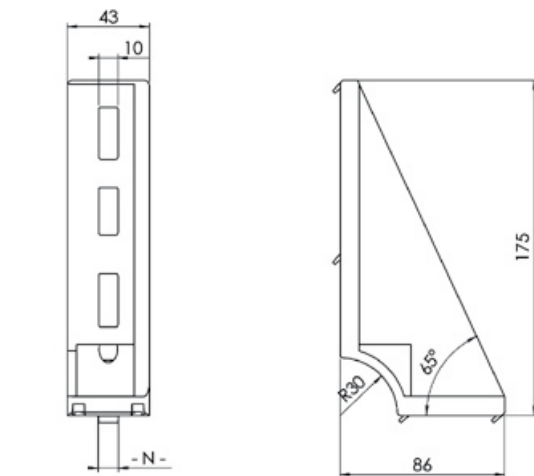
FBR - L

P45x45 P45x60 P45x90 P90x90

**Item Number:**

C093W1751RN10

10







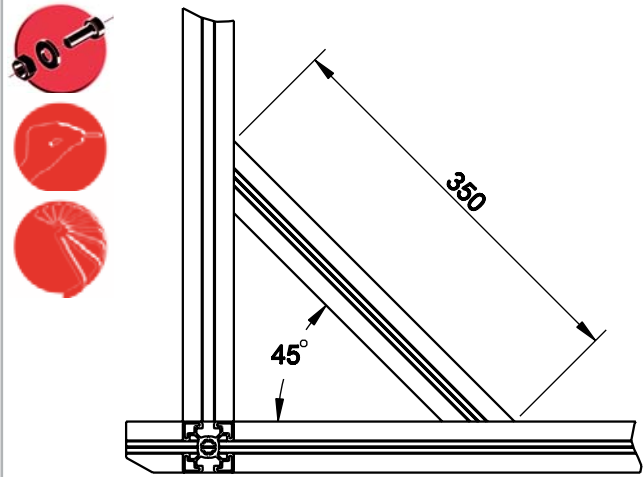
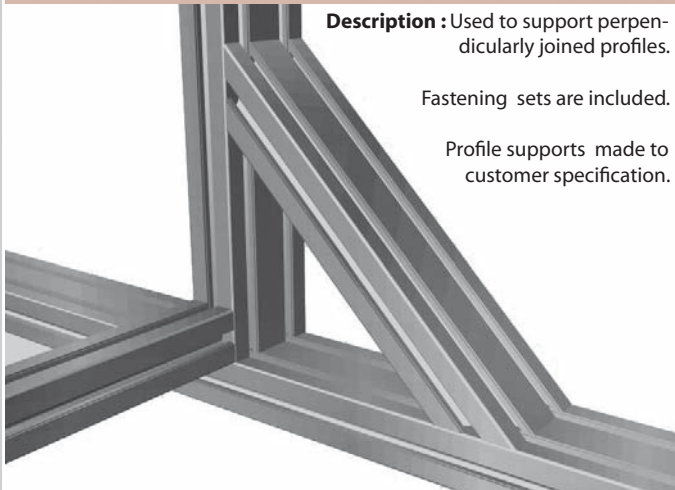
**Technical Information:**

Item Description	Dim -N- (mm)	Weight (g)	Colour	Finish	Material
FBR - R	10.0	300.0	Natural	Plain	Die-cast aluminium
FBR - L					





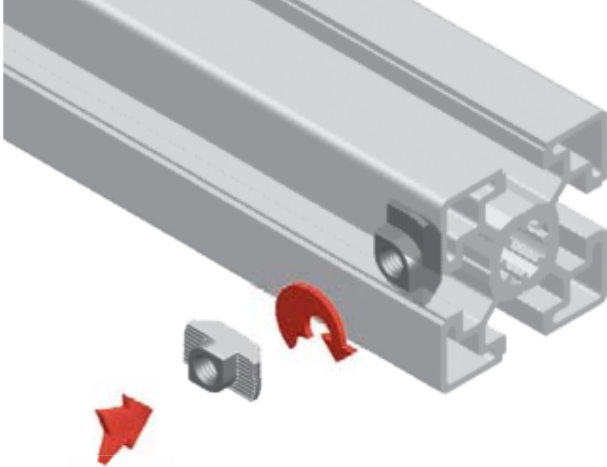
Supports (SP):	General Information:
Item Description:	Item Number:
SP 30 x 30	1.20.0880.0 
SP 30 x 60	1.20.0881.0 
SP 45 x 45	1.20.1080.0 
SP 45 x 90	1.20.1081.0 



#### Technical Information:

Item Description	Cut Angle (°)	Length (mm)	Set (Caps Screws)	Set (T-Nuts)	Material
SP 30 x 30	45	350 Note: Other lengths available on request	2 x (M5 x 16 mm)	2 x M5	Supports: AA6063 - T6
SP 30 x 60			4 x (M5 x 16 mm)	4 x M5	
SP 45 x 45			2 x (M6 x 25 mm)	2 x M6	
SP 45 x 90			4 x (M6 x 25 mm)	4 x M6	

T-Nuts (SPN):



General Information:

**Function:** Fixes components to profiles.

**Features:**

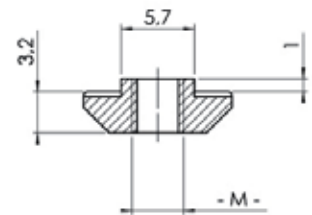
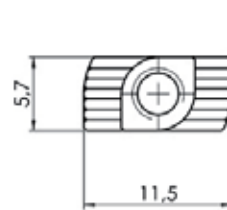
1. Can be inserted into the profile slots after the profile ends have been covered or connected to adjoining members.
2. Self aligning.

Item Description:

SPN M4 - S6

Item Number:

1.20.2604.0



Technical Information:

Item Description	Dim -H- (mm)	Weight (g)	Finish	Material
SPN M4 - S6	1.0	1.20	Zinc plated	Steel